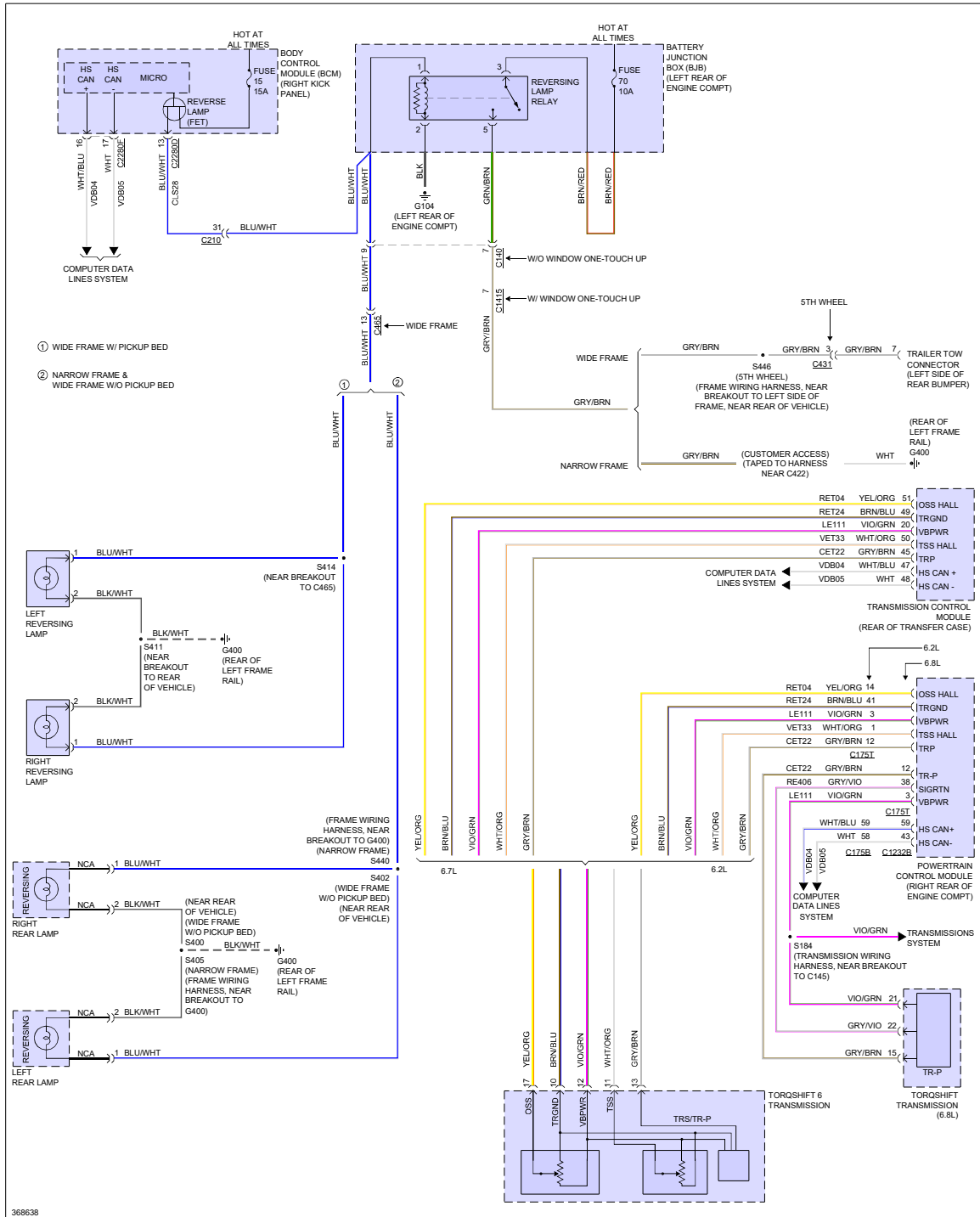


Service Manual: SYSTEM WIRING DIAGRAMS - F350 SUPER DUTY EXTERIOR LIGHTS

Fig 1: Backup Lamps Circuit



368638

Fig 2: Exterior Lamps Circuit (1 of 2)

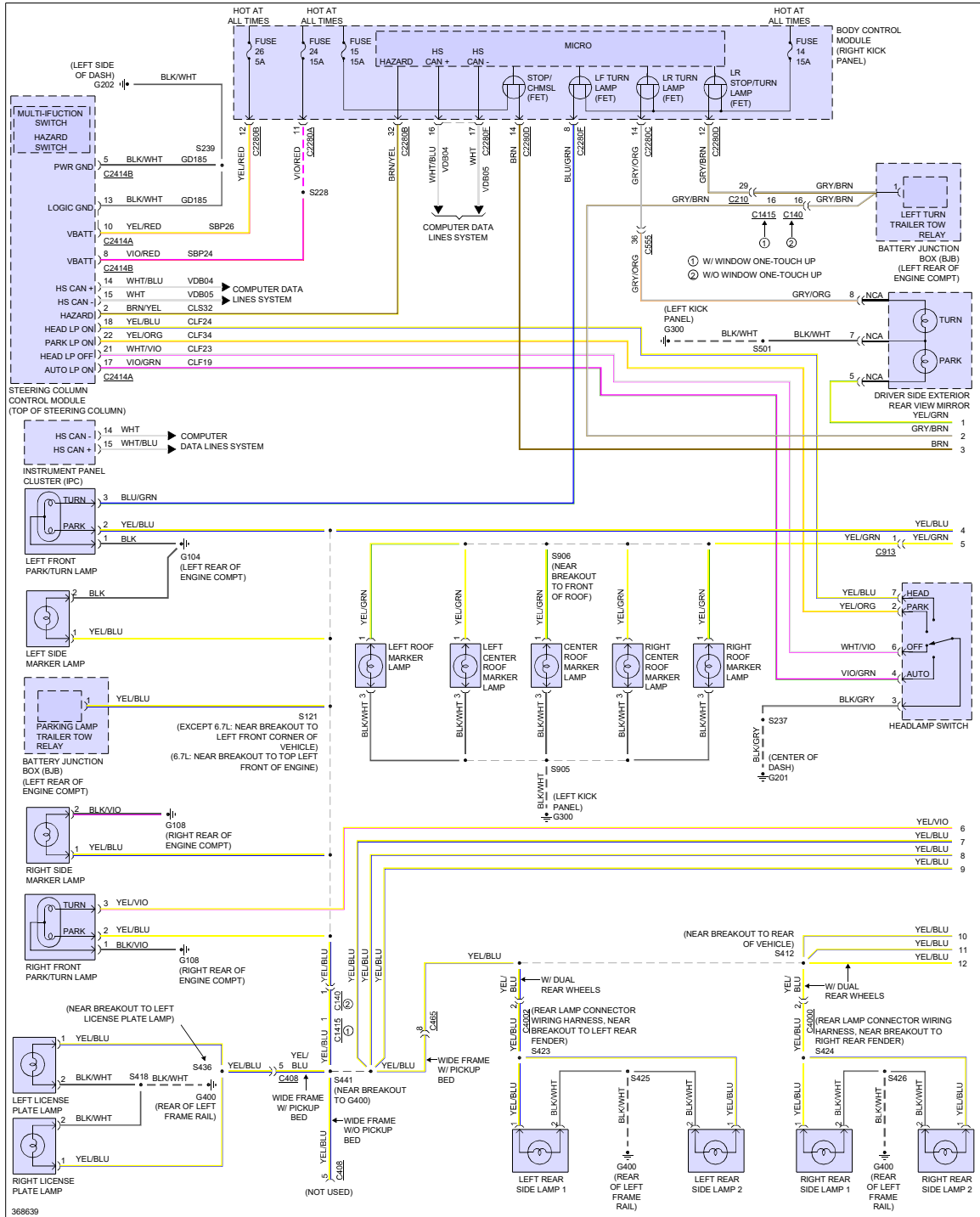


Fig 3: Exterior Lamps Circuit (2 of 2)

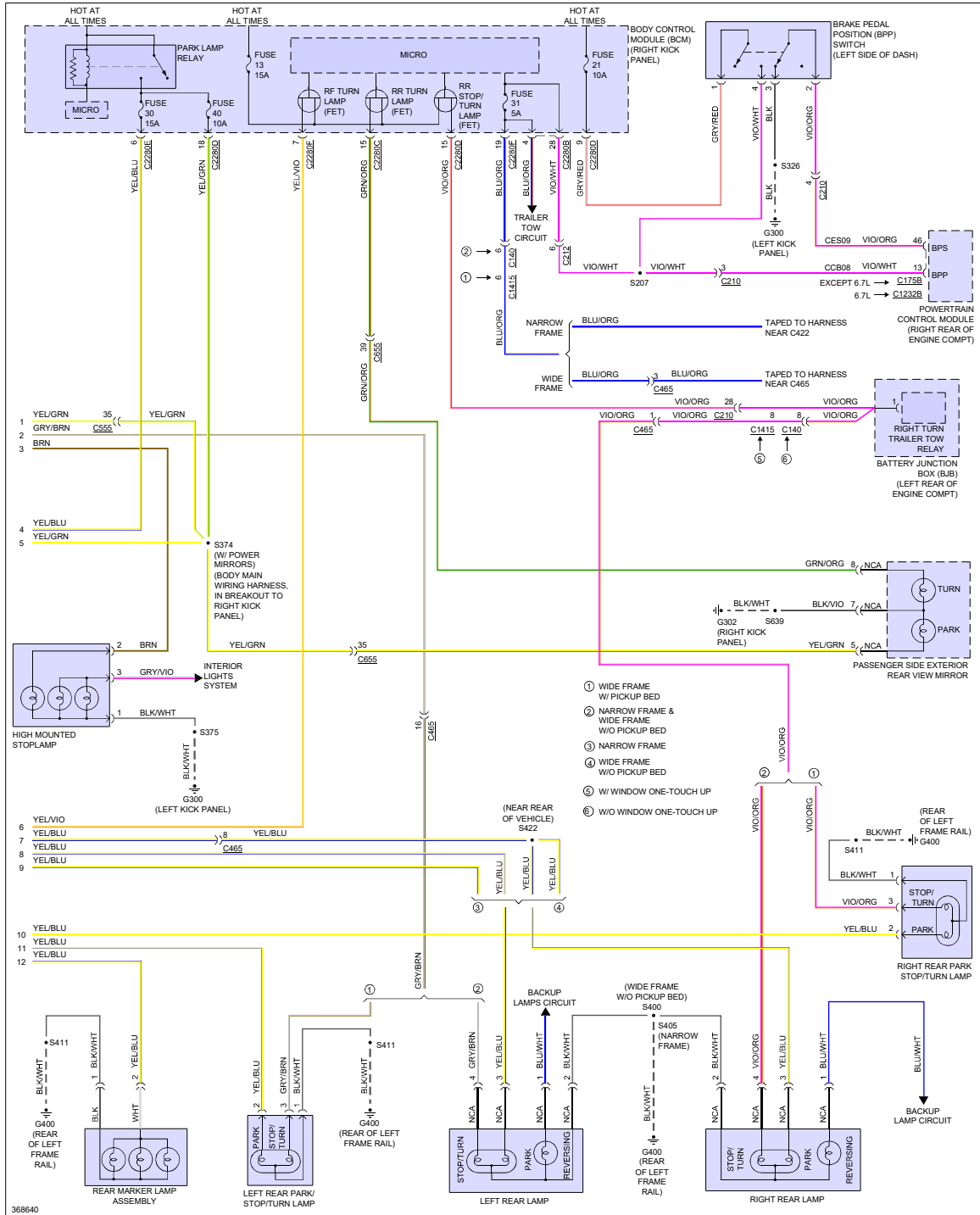


Fig 4: Trailer Tow Circuit

